

ChipCHILLER[®]

High Performance Chillers



**STAND ALONE
COOLANT CHILLER
34,000 BTU (10kw)**

**YOU GET BOTH
ABSOLUTE TEMPERATURE SET POINT**

--AND--

AMBIENT TEMPERATURE TRACKING

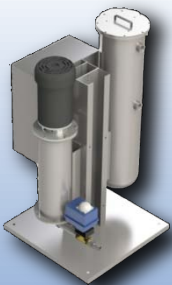
Other Stand Alone Units Available

CentraBLAST[®]
Self Filtering Pumps

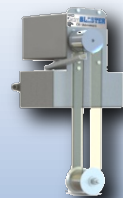
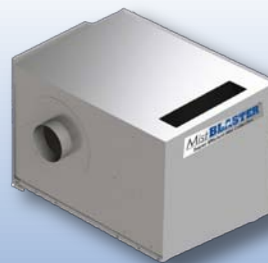
BLASTVeyor[®]
Self Cleaning Chip Conveyors

MistBLASTER[®]
Super Efficient Mist Collection

SkimBLASTER[®]
Oil Skimmers



**Available in North
America Only**



**One installation, One connection!
NO ADDITIONAL FLOOR SPACE!**

ISO 9001



ISO 14001



MAINTENANCE FRIENDLY

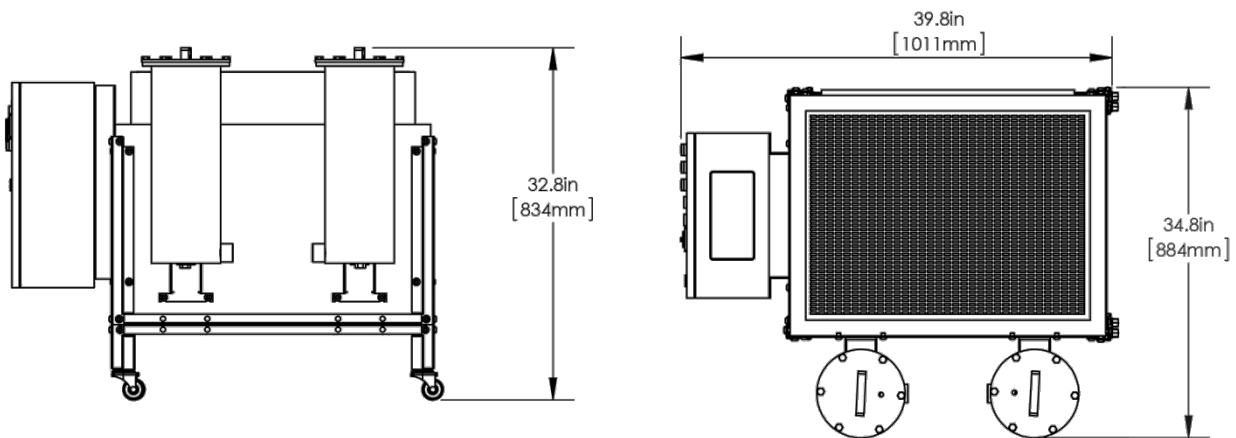
- ChipCHILLERS are NOT sealed single phase home units.
- All fittings are automotive standard, available worldwide.
- Consumer use containers of 134a refrigerant are available at most Automotive stores etc. for less than \$20 (less than (2) 340 gram containers are required for a complete recharge).
- If the maintenance staff has added refrigerant to their cars, they already know how to maintain a ChipCHILLER .
- Gauge sets to check and refill ChipCHILLERS are available at most automotive supply stores for less than \$100.

VERY RELIABLE

- Many other chillers use “open” fan motors that can’t meet CE or CSA standards.
- ChipCHILLERS use high efficiency TEFC 3phase industrial motors .

ENVIRONMENTALLY FRIENDLY

- Uses 75% less refrigerant, resulting in 75% less potential environmental impact.
- All ChipCHILLERS are compatible with pending environmental standards for HFO-1234yf.
- HFO-1234yf has excellent environmental properties: GWP = 4
- Current chillers are supplied with 134a until recharging coolant is required.



ChipBLASTER®

A Family of Integrated Machine Tool Accessories

- ChipBLASTER® High Pressure Coolant Systems
- BLASTVeyor® Self Cleaning Chip Conveyors
- ChipCHILLER® High Performance Chillers
- MistBLASTER® Super Efficient Mist Collection
- CentraBLAST® Self Filtering Pumps
- SkimBLASTER® Oil Skimmers

13605 S Mosiertown Rd, Meadville, PA 16335

www.chipblaster.com 800-241-3163

Distributor Label