

EV-60

8 to 60 liters per minute
(2 to 16 gpm)
Pressure up to 83 bar
(1200 psi)

Ideal for machine tools
up to 30 kw (40 hp)

900 and 1800 liter
tanks options let you create
“mini” central systems



480 liter/126 gallon
tank is standard

Optional Integrated Accessories

MistBLASTER®
Super Efficient Mist Collection



BLASTVeyor®
Self Cleaning Chip Conveyors

Available in North
America Only



ChipCHILLER®
High Performance Chillers



ChipBLASTER®
High Pressure Coolant Systems

CentraBLAST®
Self Filtering Pumps



SkimBLASTER®
Oil Skimmers



ISO 9001



ISO 14001



One installation, One connection!
NO ADDITIONAL FLOOR SPACE!

EV-60 STANDARD CONFIGURATION

The ChipBLASTER EV-60 is fed by a transfer pump that draws from the machine tool sump, through the filter vessel to the integral 480 liter (126 gal) tank. When the machine tool calls for coolant, the filter pump(s) draws the coolant from the ChipBLASTER tank and pumps through the post (safety) filter to the inlet of the positive displacement pump. The coolant then flows at high pressure through a series of distribution and safety valves and on to the machine tool.

Key Features of the EV-60

•Automatically Variable Volume

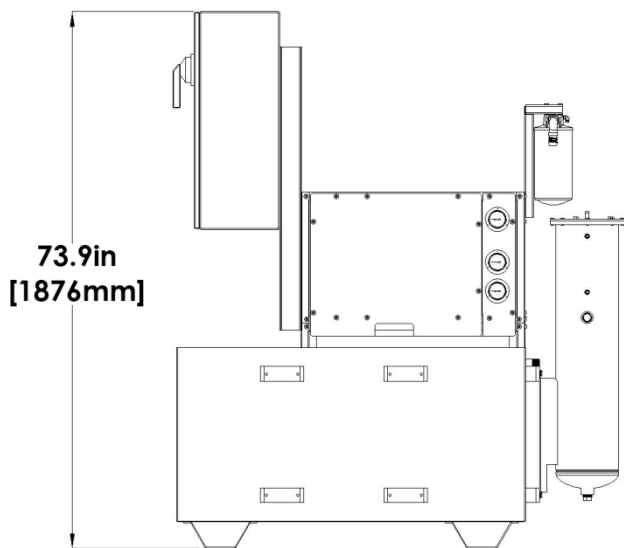
This is the “gold standard” for high pressure coolant systems! It automatically pumps just enough volume to maintain full pressure. Other systems pump a fixed rate that is always too much or too little causing foam, heat, and short filter life.

•Double Compression Filter Hold Down

ChipBLASTER has created the most efficient bag filtration on the market today. Our double compression filter hold down lid protects both our system and the machine tool from contamination.

•Multiple Pressure Option

Pressure options can be pre-programmed to provide filtered flood coolant in addition to preset pressures of 20,35,50 and 70 bar (300,500,750, 1000 psi) standard or any pressure up to 83 bar (1200 psi).



Popular Options for the EV-60

•Display (HMI)

Displays the current status of the ChipBLASTER and any faults. The PLC allows for display of the last 8 faults on the ChipBLASTER unit, as well as filter status, unit run time, and automatic “B” filter purges on units with automatic filter crossover.

•Extended Warranty

2, 3, 4, and 5 year parts warranty for your ChipBLASTER is available. (Your unit has a standard 1 year parts and labor warranty)

•Dual Filters

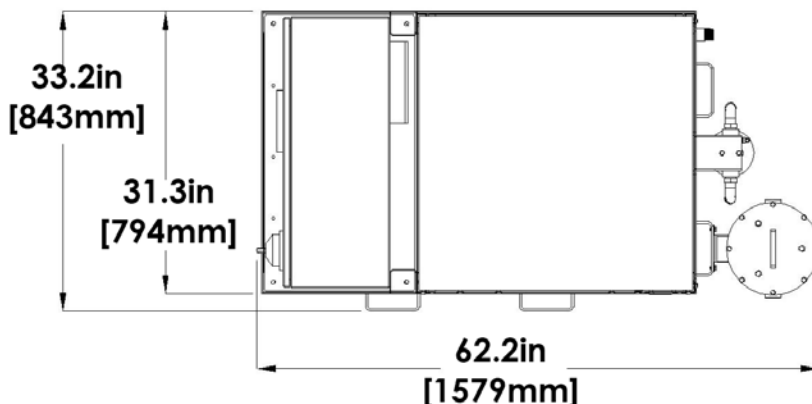
Allows filter changes “in-process” eliminating machine tool down time.

•Simple Low Cost Installation Kits

Installation kits allow “plug and play” installation. Engineered packages are available for most machine tools. Please contact ChipBLASTER for details.

•Auto Filter Crossover

This system automatically will switch from dirty filter “A” to filter “B” and set off an alarm light alerting the operator that the filter needs to be changed at your convenience.



ChipBLASTER®

A Family of Integrated Machine Tool Accessories

ChipBLASTER® High Pressure Coolant Systems
BLASTVeyor® Self Cleaning Chip Conveyors
ChipCHILLER® High Performance Chillers
MistBLASTER® Super Efficient Mist Collection
CentraBLAST® Self Filtering Pumps
SkimBLASTER® Oil Skimmers

13605 S Mosiertown Rd, Meadville, PA 16335

www.chipblaster.com 800-241-3163

Distributor Label