

# WV2-120



480 liter/126 gallon tank  
is standard

**16 to 120 liters per minute  
(4 to 32 gpm)  
Pressure up to 83 bar  
(1200 psi)**

## ***Total Flexibility for Dual Turrets***

The WV2-120 can operate as two completely independent 60 liter (16 gpm) modules or combine to give you high pressure AND very high volume (120 liters) to one outlet at any time during the same program!

Ideal for machine tools up to 60kw (80 hp), triple turret lathes and taper mills.

## ***Optional Integrated Accessories***

**MistBLASTER**<sup>®</sup>  
Super Efficient Mist Collection



**BLASTVeyor**<sup>®</sup>  
Self Cleaning Chip Conveyors

Available in North  
America Only



**ChipCHILLER**<sup>®</sup>  
High Performance Chillers



**ChipBLASTER**<sup>®</sup>  
High Pressure Coolant Systems

**CentraBLAST**<sup>®</sup>  
Self Filtering Pumps



**SkimBLASTER**<sup>®</sup>  
Oil Skimmers



ISO 9001



ISO 14001



**One installation, One connection!  
NO ADDITIONAL FLOOR SPACE!**

## WV2-120 STANDARD CONFIGURATION

The ChipBLASTER WV2-120 is fed by a transfer pump that draws from the machine tool sump, through the filter vessel to the integral 480 liter (126 gal) tank. When the machine tool calls for coolant, the filter pump(s) draws the coolant from the ChipBLASTER tank and pumps through the post (safety) filter to the inlet of the positive displacement pump. The coolant then flows at high pressure through a series of distribution and safety valves and on to the machine tool.

### Key Features of the WV2-120

#### •Automatically Variable Volume

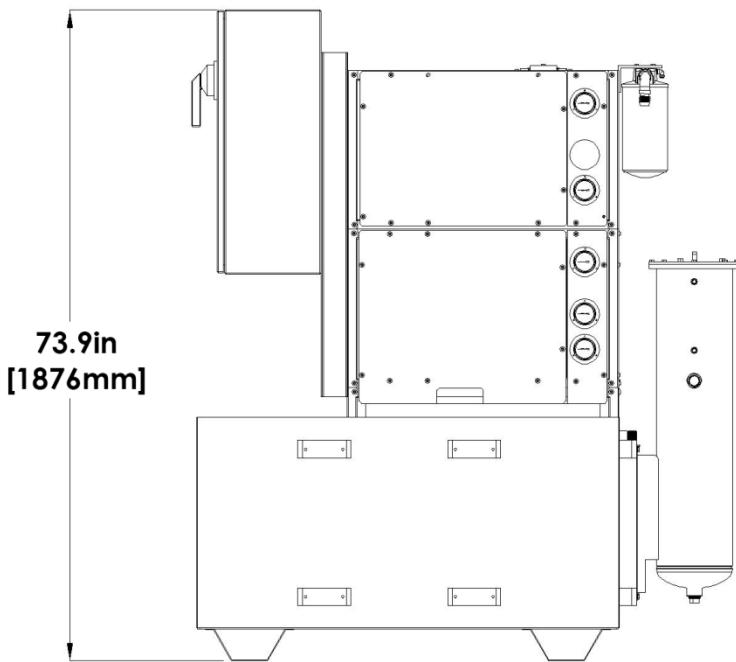
This is the “gold standard” for high pressure coolant systems! It automatically pumps just enough volume to maintain full pressure. Other systems pump a fixed rate that is always too much or too little causing foam, heat, and short filter life.

#### •Double Compression Filter Hold Down

ChipBLASTER has created the most efficient bag filtration on the market today. Our double compression filter hold down lid protects both our system and the machine tool from contamination.

#### •Multiple Pressure Option

Pressure options can be pre-programmed to provide filtered flood coolant in addition to preset pressures of 20,35,50 and 70 bar (300,500,750, 1000 psi) standard or any pressure up to 83 bar (1200 psi)



### Popular Options for the WV2-120

#### •Display (HMI)

Displays the current status of the ChipBLASTER and any faults. The PLC allows for display of the last 8 faults on the ChipBLASTER unit, as well as filter status, unit run time, and automatic “B” filter purges on units with automatic filter crossover.

#### •Extended Warranty

2, 3, 4, and 5 year parts warranty for your ChipBLASTER is available. (Your unit has a standard 1 year parts and labor warranty)

#### •Dual Filters

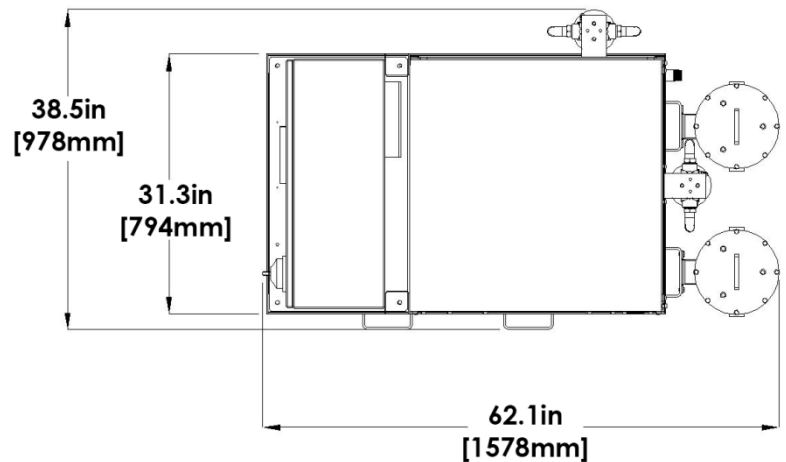
Allows filter changes “in-process” eliminating machine tool down time.

#### •Simple Low Cost Installation Kits

Installation kits allow “plug and play” installation. Engineered packages are available for most machine tools. Please contact ChipBLASTER for details.

#### •Auto Filter Crossover

This system automatically will switch from dirty filter “A” to filter “B” and set off an alarm light alerting the operator that the filter needs to be changed at your convenience.



# ChipBLASTER®

A Family of Integrated Machine Tool Accessories

ChipBLASTER® High Pressure Coolant Systems

BLASTVeyor® Self Cleaning Chip Conveyors

ChipCHILLER® High Performance Chillers

MistBLASTER® Super Efficient Mist Collection

CentraBLAST® Self Filtering Pumps

SkimBLASTER® Oil Skimmers

13605 S Mosiertown Rd, Meadville, PA 16335

www.chipblaster.com 800-241-3163

Distributor Label