

Chip **BLASTER**®

A Family of Integrated Machine Tool Accessories

J-30



380 liter/100 gallon tank is standard

30 liters per minute

(8 gpm)

Pressure up to 83 bar

(1200 psi)

Ideal for machine tools

up to 15 kw (20 hp)

480, 900, 1800 liter tanks options let you create “mini” central systems

Optional Integrated Accessories

Mist **BLASTER**
Super Efficient Mist Collection



BLAST Veyor
Self Cleaning Chip Conveyors

Available in North America Only



Chip **CHILLER**
High Performance Chillers



Chip **BLASTER**
High Pressure Coolant Systems

Centra **BLAST**
Self Filtering Pumps



Skim **BLASTER**
Oil Skimmers



**One installation, One connection!
NO ADDITIONAL FLOOR SPACE!**



ISO 9001



ISO 14001

8-06-14

F-MKT-60.INT

Werftstrasse 23, 40549 Düsseldorf, Germany

Office: +49 (0) 211-56 94 91 84 • Fax: +49 (0) 211-56 94 91 83 • www.chiplaster.com

J-30 STANDARD CONFIGURATION

The ChipBLASTER J-30 is fed by a transfer pump that draws from the machine tool sump, through the filter vessel to the integral 380 liter (100 gal) tank. When the machine tool calls for coolant, the filter pump(s) draws the coolant from the ChipBLASTER tank and pumps through to the inlet of the positive displacement pump. The coolant then flows at high pressure through a series of distribution and safety valves and on to the machine tool.

Key Features of the J-30

•Double Compression Filter Hold Down

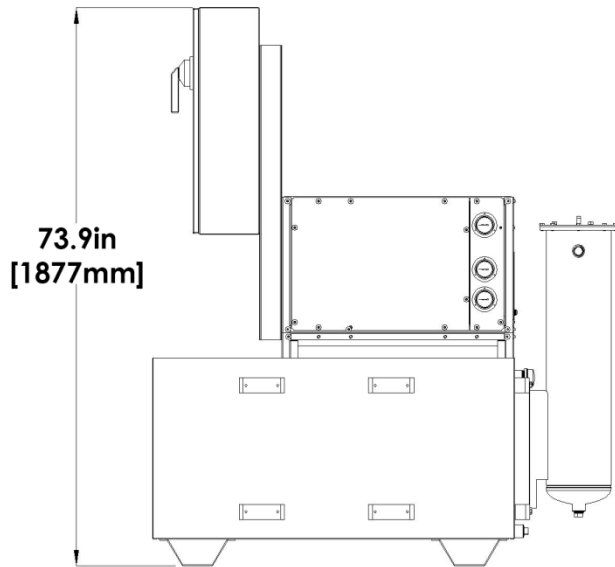
ChipBLASTER has created the most efficient bag filtration on the market today. Our double compression filter hold down lid protects both our system and the machine tool from contamination.

•ChipBLASTER's Super Duty Pump

is designed for coolant. It is durable enough that we offer an optional 2, 3, 4, or 5 year warranty.

•A Full Range of Safety Features

Safety Features insures a safe machining process without damage to the machine tool, the part, or tooling. We can meet or exceed all international requirements for operator and machine tool protection with integrated automatic overload protection as well as many alarm circuits.



Popular Options for the J-30

•Display (HMI)

Displays the current status of the ChipBLASTER and any faults. The PLC allows for display of the last 8 faults on the ChipBLASTER unit, as well as filter status, unit run time, and automatic "B" filter purges on units with automatic filter crossover.

•Extended Warranty

2, 3, 4, and 5 year parts warranty for your ChipBLASTER is available. (Your unit has a standard 1 year parts and labor warranty)

•Dual Filters

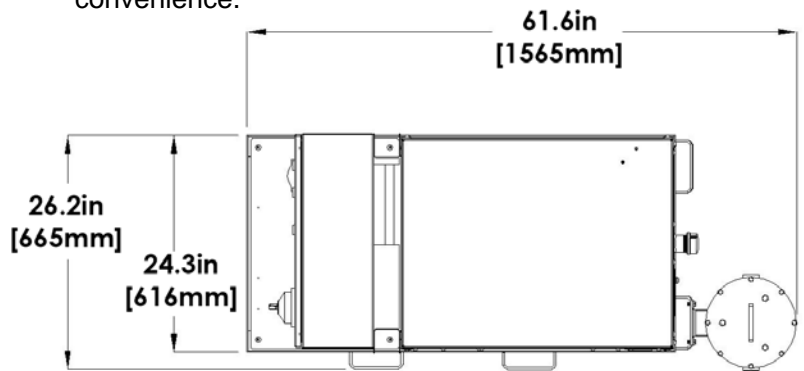
Allows filter changes "in-process" eliminating machine tool down time.

•Simple Low Cost Installation Kits

Installation kits allow "plug and play" installation. Engineered packages are available for most machine tools. Please contact ChipBLASTER for details.

•Auto Filter Crossover

This system automatically will switch from dirty filter "A" to filter "B" and set off an alarm light alerting the operator that the filter needs to be changed at your convenience.



ChipBLASTER®

A Family of Integrated Machine Tool Accessories

ChipBLASTER® High Pressure Coolant Systems
BLASTVeyor® Self Cleaning Chip Conveyors
ChipCHILLER® High Performance Chillers
MistBLASTER® Super Efficient Mist Collection
CentraBLAST® Self Filtering Pumps
SkimBLASTER® Oil Skimmers

13605 S Mosiertown Rd, Meadville, PA 16335

www.chipblaster.com 800-241-3163

Distributor Label