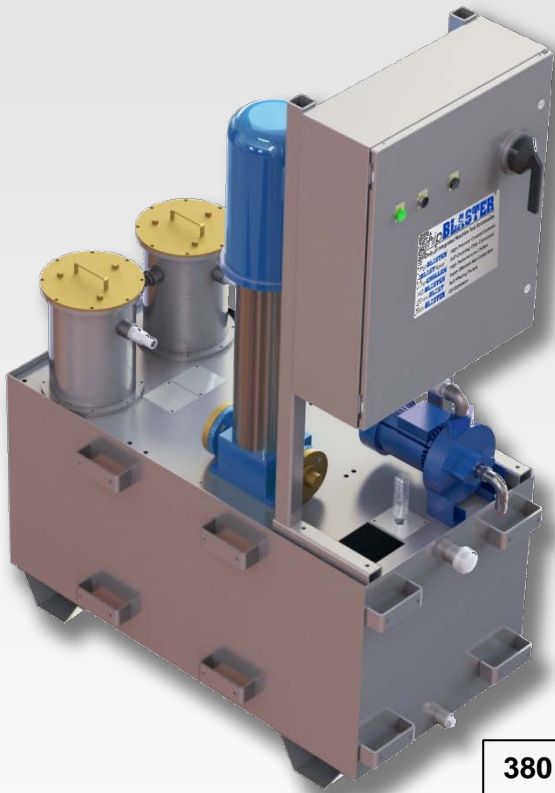


**F-75**



**75 liters per minute  
(20 gpm)  
Pressure up to 20 bar  
(300 psi)**

- 1 "M" Code Controlled Outlet
- Filtration to 5 Micron
- Din Plug Installation on New Machine Tools

380 liter/100 gallon tank is standard

**Our Family of Integrated Machine Tool Accessories**

**Mist BLASTER**<sup>®</sup>  
Super Efficient Mist Collection



**BLAST Veyor**<sup>®</sup>  
Self Cleaning Chip Conveyors

Available in North America Only

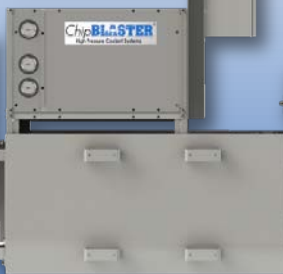


**Chip CHILLER**<sup>®</sup>  
High Performance Chillers



**Chip BLASTER**<sup>®</sup>  
High Pressure Coolant Systems

**Centra BLAST**<sup>®</sup>  
Self Filtering Pumps



**Skim BLASTER**<sup>®</sup>  
Oil Skimmers



ISO 9001



**One installation, One connection!  
NO ADDITIONAL FLOOR SPACE!**



ISO 14001

## F-75 STANDARD CONFIGURATION

The ChipBLASTER F-75 is fed by a transfer pump that draws from the machine tool sump through the filter vessel to the integrated 380 liter (100 gal) tank. When the machine tool calls for coolant, the centrifugal pump draws the coolant from the ChipBLASTER tank and then flows through a series of distribution and safety valves into the machine tool.

This system requires a 1 "M" code latching signal for operation.

### Key Features of the F-75

#### •Double Compression Filter Hold Down

ChipBLASTER has created the most efficient bag filtration on the market today. Our double compression filter hold down lid protects both our system and the machine tool from contamination.

#### •A Full Range of Safety Features

Safety Features insures a safe machining process without damage to the machine tool, the part, or tooling. We can meet or exceed all international requirements for operator and machine tool protection with integrated automatic overload protection as well as many alarm circuits.

### Popular Options for the F-75

#### •Dual Filters

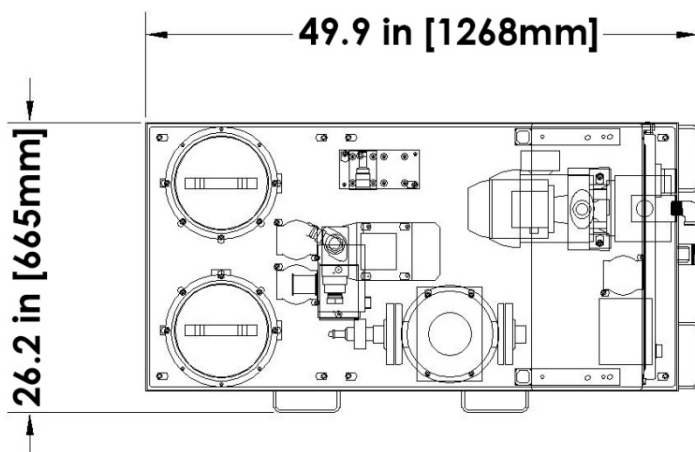
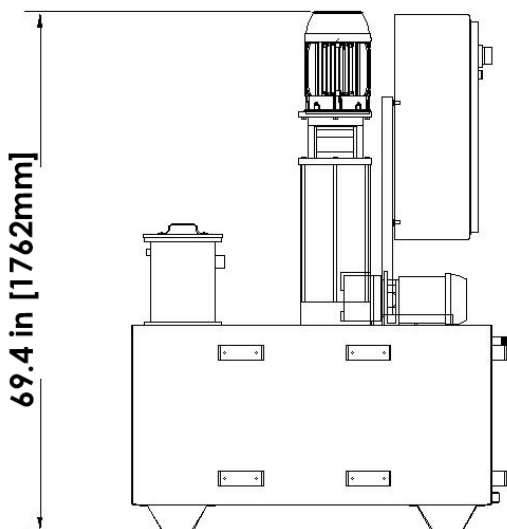
Allows filter changes" in-process" eliminating machine tool down time.

#### •Extended Warranty

2, 3, 4, and 5 year parts warranty for your ChipBLASTER is available. (Your unit has a standard 1 year parts and labor warranty)

#### •Simple Low Cost Installation Kits

Installation kits allow "plug and play" installation. Engineered packages are available for most machine tools. Please contact ChipBLASTER for details.



**ChipBLASTER**<sup>®</sup>  
A Family of Integrated Machine Tool Accessories

Chip**BLASTER** High Pressure Coolant Systems  
BLASTVeyor<sup>®</sup> Self Cleaning Chip Conveyors  
Chip**CHILLER** High Performance Chillers  
Mist**BLASTER** Super Efficient Mist Collection  
Centra**BLAST** Self Filtering Pumps  
Skim**BLASTER** Oil Skimmers

13605 S Mosiertown Rd, Meadville, PA 16335  
www.chipblaster.com 800-241-3163

Distributor Label